

Before You Begin

- ① Check that the package contains all the supplied accessories listed below.
- ② Read “For Your Safety” to ensure safe operation.
- ③ Read this manual thoroughly before using the product.

Supplied Accessories

- Strap
- Lens cap
- Eyepiece cap
- AA alkaline batteries (×4)
- Cleaning cloth
- Case
- Instruction manual

Specifications

Magnification	14×
Effective objective lens diameter	40 mm (1.6 in.)
Actual field of view	4°
Field of view at 1000 m (1094 yds)	70 m (230 ft)
Minimum focusing distance	5 m (16 ft)
Exit pupil diameter	2.86 mm (0.11 in.)
Eye relief	13 mm (0.5 in.)
Image stabilization	±6°
Diopter adjustment (right eyepiece)	±2 m ⁻¹
Eye width adjustment	60–70 mm (2.4–2.8 in.)
Dimensions (L × W × H)	187 × 165 × 81 mm (7.4 × 6.5 × 3.2 in.)
Weight (binoculars only, excluding batteries)	1300 g (2.9 lb.)
Battery endurance ¹	AA alkaline batteries: Approximately 18 hours AA NiMH batteries: Approximately 22 hours
Operating temperature ²	–10 °C to +55 °C (14 to 131 °F)
Filter diameter	∅ 48 mm (1.9 in.)

¹ In-house measurements. Battery endurance varies with the conditions of use.

² Observe any battery operating temperature restrictions listed by the manufacturer.




CAUTION

Improvements may result in unannounced changes to product specifications.

For Your Safety

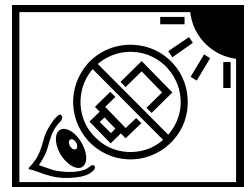
- Although this product is designed with safety in mind, we ask that you read and observe the following safety precautions.
- Keep this manual where it will be seen by all who use the product.

 **WARNINGS** Failure to observe warnings could result in death or serious injury.

 **CAUTIONS** Failure to observe cautions could result in injury or property damage.

WARNINGS

- *Never use the binoculars to look at the sun. Doing so could cause blindness.*



- Should you notice anything unusual about the product, such as overheating, smoke, or a burning smell, turn it off and remove the batteries immediately. Failure to observe this precaution could result in fire or burns. When removing the batteries, take care to avoid burns.
- Remove the batteries immediately should water, metal, or other foreign matter find their way inside the product. Failure to observe this precaution could result in fire or in the product overheating.
- Do not use the product in the presence of flammable gases or liquids such as gasoline, benzine (petroleum ether), or paint thinner. Failure to observe this precaution could result in explosions, fire, or burns.
- Do not drop or strike the product or expose it to flame or heat. Failure to observe this precaution could cause the casing to rupture.
- Do not place the product on unstable surfaces. Injury could result if the product tips or falls.
- Do not use the product while walking. Failure to observe this precaution could result in collisions, falls, or injury.

- Operators could pinch their fingers when adjusting eye width. Observe caution when allowing small children to use the product.
- Do not leave the product in direct sunlight. Failure to observe this precaution could result in fire.
- Deterioration of the rubber eyecups as the result of prolonged use could cause inflammation of the skin. Consult a physician should experience symptoms that could be the result of inflammation.
- Consult a physician immediately should a child swallow a cap.
- Plastic bags and wrapping are a suffocation hazard. Keep them out of reach of children.
- Under no circumstances should you attempt to disassemble the product. Failure to observe this precaution could result in injury. Disassembling the product also voids the warranty.

WARNINGS (Batteries)

- To prevent serious accidents caused by the batteries overheating or leaking, never:
 - Use batteries if the casing is damaged or peeling
 - Use batteries if the nominal voltage cannot be determined or exceeds 1.5 V
 - Mix batteries of different types and makes
 - Mix fresh and used batteries
- AA lithium, manganese, and NiCad batteries are not supported, and to ensure customer safety should not be used.
- Do not use the product if the batteries are not inserted with the “+” and “-” contacts in the correct orientation.
- Do not short or disassemble batteries or expose them to heat or flame. Failure to observe this precaution could result in the batteries rupturing or cause fire or injury.
- Refer to the documentation provided by the manufacturer for information on the use and storage of, and operating conditions for, AA alkaline and NiMH batteries.

CAUTIONS

- In the event of product malfunction, do not attempt to repair the product yourself. Consult the original retailer.
- Should the product break open as the result of a fall or other accident, do not touch the exposed parts. Failure to observe this precaution could result in injury.
- Do not touch the interior of the battery chamber with metal objects. Failure to observe this precaution could result in injury or product malfunction.
- Remove the batteries if the product will not be used for an extended period. After removing the batteries, reinsert the battery chamber to protect the product during storage.
- Keep the product out of reach of children. Failure to observe this precaution could result in injury.
- Do not place the product under blankets, cloths, cushions, or the like. The buildup of heat could deform the casing or cause fire.
- Should liquid from the batteries come into contact with skin or clothing, flush the affected area with water. Should battery liquid enter the eyes or mouth, flush the affected area with water and consult a physician immediately.

For Customers in the U. S. A.

**Tested To Comply With FCC Standards
FOR HOME OR OFFICE USE**



FCC Statement: This device complies with Part 15 of the FCC Rules. Operation is subject to the following two conditions: (1) This device may not cause harmful interference, and (2) this device must accept any interference received, including interference that may cause undesired operation.

CAUTION: This equipment has been tested and found to comply with the limits for a Class B digital device, pursuant to Part 15 of the FCC Rules. These limits are designed to provide reasonable protection against harmful interference in a residential installation. This equipment generates, uses, and can radiate radio frequency energy and, if not installed and used in accordance with the instructions, may cause harmful interference to radio communications. However, there is no guarantee that interference will not occur in a particular installation. If this equipment does cause harmful interference to radio or television reception, which can be determined by turning the equipment off and on, the user is encouraged to try to correct the interference by one or more of the following measures:

- Reorient or relocate the receiving antenna.
- Increase the separation between the equipment and receiver.
- Connect the equipment into an outlet on a circuit different from that to which the receiver is connected.
- Consult the dealer or an experienced radio/TV technician for help.

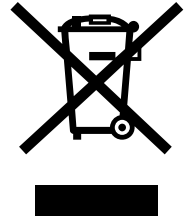
For Customers in Canada

CAN ICES-3 (B)/NMB-3(B)

CAUTION: This Class B digital apparatus complies with Canadian ICES-003.

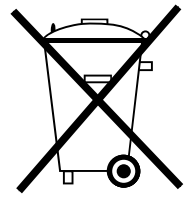
Disposal of Electrical and Electronic Equipment in Private Households

In the European Union, Norway, Iceland and Liechtenstein: This symbol on the product, or in the manual and in the warranty, and/or on its packaging indicates that this product shall not be treated as household waste. Instead it should be taken to an applicable collection point for the recycling of electrical and electronic equipment.



By ensuring this product is disposed of correctly, you will help prevent potential negative consequences to the environment and human health, which could otherwise be caused by inappropriate waste handling of this product.

This symbol on the batteries or accumulators indicates that those batteries shall not be treated as household waste.

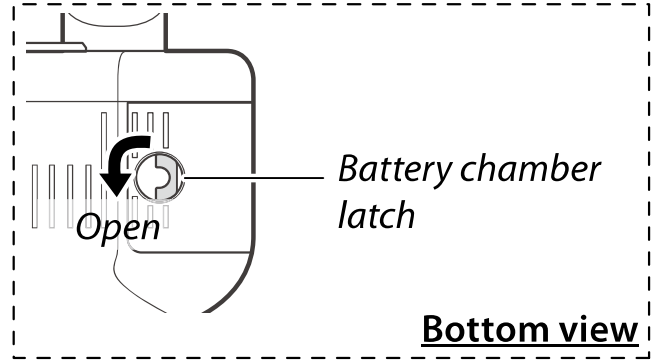
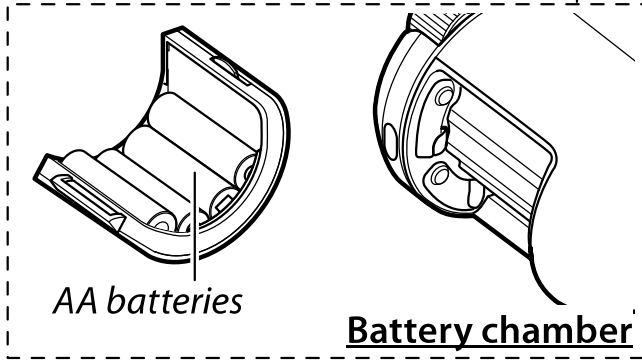
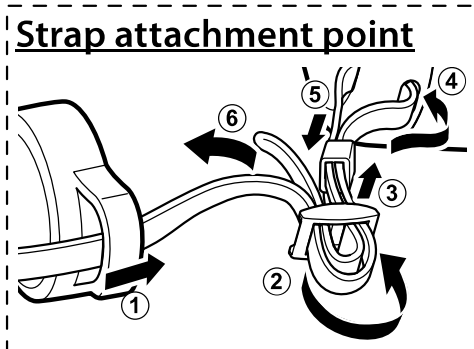
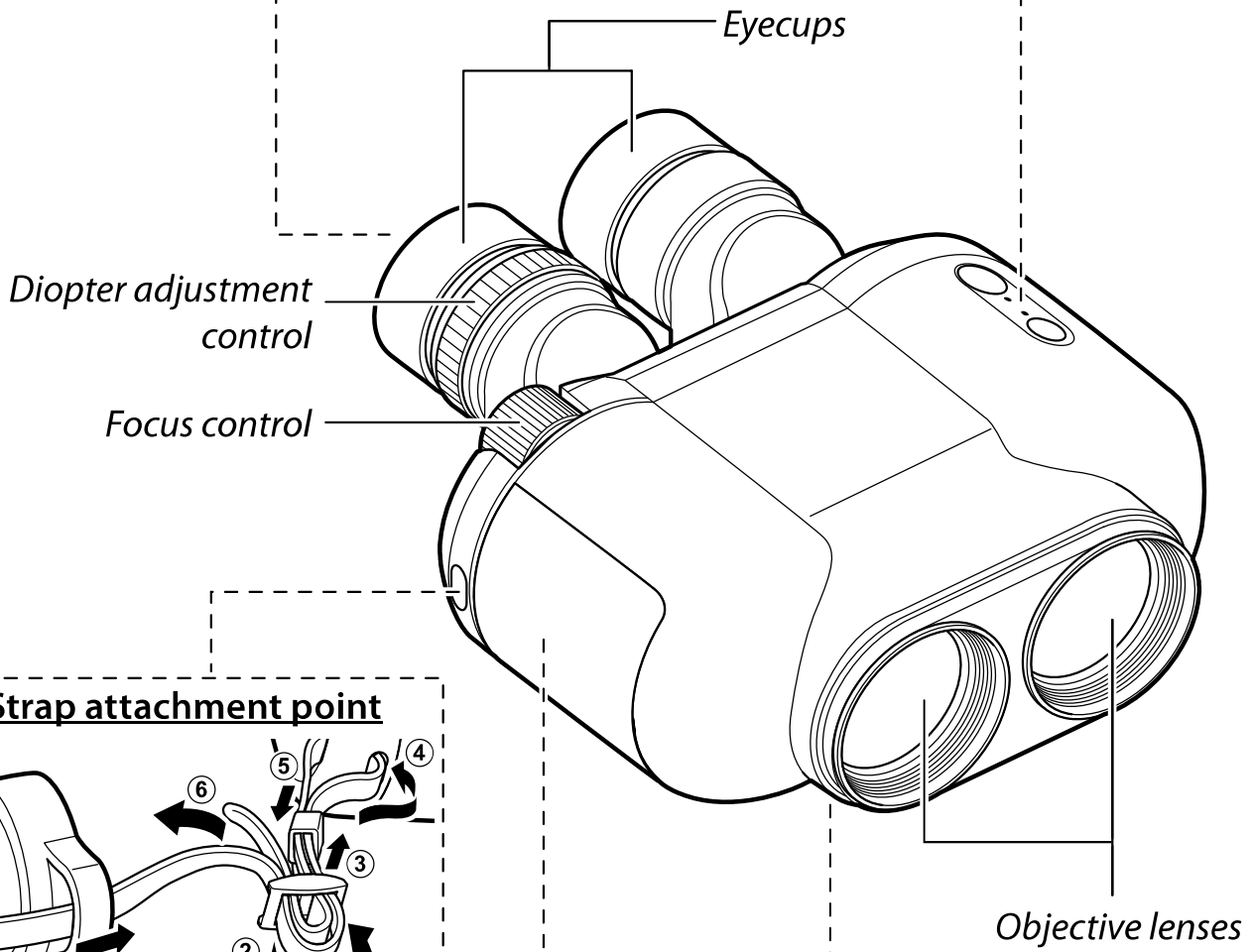
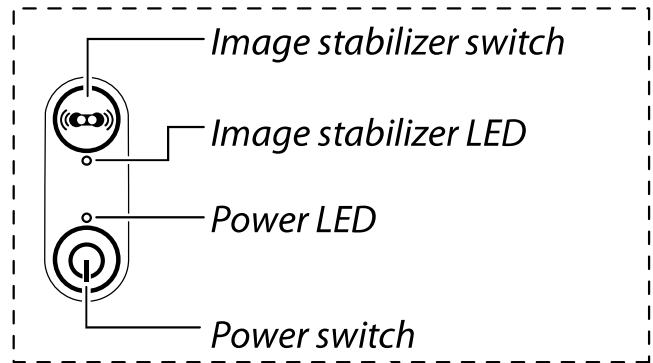
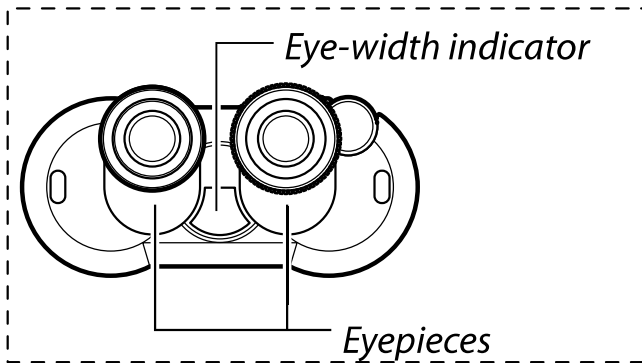


If your equipment contains easy removable batteries or accumulators please dispose these separately according to your local requirements.

The recycling of materials will help to conserve natural resources. For more detailed information about recycling this product, please contact your local city office, your household waste disposal service or the shop where you purchased the product.

In Countries Outside the European Union, Norway, Iceland and Liechtenstein: If you wish to discard this product, including the batteries or accumulators, please contact your local authorities and ask for the correct way of disposal.

Parts of the Binoculars



Using the Binoculars

- 1** Rotate the battery-chamber latch to the left, remove the battery chamber, and load the batteries. Reinsert the battery chamber and latch it by rotating the latch to the right.
- 2** Adjust the eye height by rotating the eyecups. Retract the eyecups if you wear glasses and extend them if you do not.
- 3** Press the power switch. The system will start up and the power LED will light. If the power LED flashes, the batteries are low and must be replaced.
- 4** Press the image stabilizer switch. The image stabilizer will turn on and the image stabilizer LED will light.
- 5** With your eyes to the binoculars, adjust the eyepiece width until the views in the right and left eyepieces overlap in a single circle.
- 6** Looking through the left eyepiece with your left eye, rotate the focus control until your target is in focus. Then, looking through the right eyepiece with your right eye but without rotating the focus control, rotate the diopter adjustment control until your target is in focus. Finally, confirm that your target is still in focus when you look through the eyepiece with both eyes.
- 7** When you have finished using the binoculars, press the image stabilizer switch to deactivate the image stabilizer and then press the power switch to turn the product off.



CAUTION

If the LEDs flash alternately, a system error has occurred. Turn the product off, remove and replace the battery chamber, and turn the product on; if this does not resolve the issue, contact the original retailer.

Other Precautions for Use

- Although the product is water resistant, leaving water, dust, sand, or other foreign matter on the product could cause it to malfunction. To remove seawater or dirt, first check that the battery chamber is securely latched, then rinse the product under a slow trickle of water from a tap or wash it gently in a basin of fresh water. After washing the product, remove any water droplets with a soft, dry cloth, and then leave the product to dry in a shady, well-ventilated area.
- Do not open the battery chamber in locations that are extremely dusty or damp, as moisture and dust on the battery contacts could interrupt the supply of power. Do not exchange batteries in such locations, as this could cause product malfunction.
- Confirm that the battery chamber is in the correct position and securely latched.
- Avoid sudden changes in temperature, as these could cause condensation on the lens or prism. Particular caution is required when taking the product from cold to warm environments.